

Product application scope :

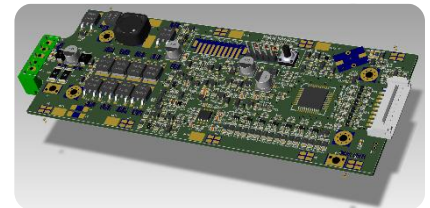
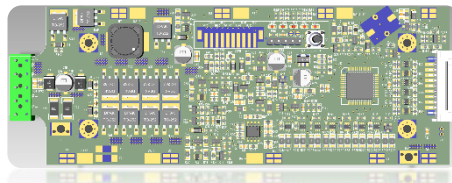
- Electric shutter doors, barriers, garage doors ;
- Electric double door, sliding door, power window, electric clothes hanger ;
- Smart home DC equipment ;
- Network, communication terminal equipment ;
- Small and medium power UPS, wind, solar energy storage backup power ;
- Medical equipment and instruments ;
- 12V and 24V DC Backup Power Applications ;

Main parameter indication

Charge & discharge port:	Same port		
Output nominal voltage:	12V / 24V (choose)		
Input voltage range:	29.4-45V		
Battery rated capacity:	\		
BMS conduction resistance:	< 20mΩ		
Detection accuracy@25℃:	± 10mV		
Maximum discharge current:	7.5A	15A	20A
Balance current :	60-100mA		
Balance voltage :	25mV		
SOC accuracy@25℃ :	\		
Communication mode :	SMBUS		

Backup power PI8S30BP series products.

It is a green, efficient, portable and long-life backup power of lithium-ion batteries designed to replace conventional lead-acid batteries. It is mainly applicable to 12V and 24V dc backup power supply for home terminal equipment, smart home appliance, electric door, electric window, etc; With the inverter, the backup power system UPS can be formed. The product is composed of high quality lithium ion battery and management system with perfect protection function. Its core adopts the imported high reliability MCU. To monitor and manage the various working status of lithium battery, maintain the consistency of the battery and extend the service life of the battery. The backup management and perfect protection technology make the battery pack have the characteristics of high reliability, high security and long life cycle. Change your life from the PI8S30BP power source.



Application example

Backup power PI8S30BP series products

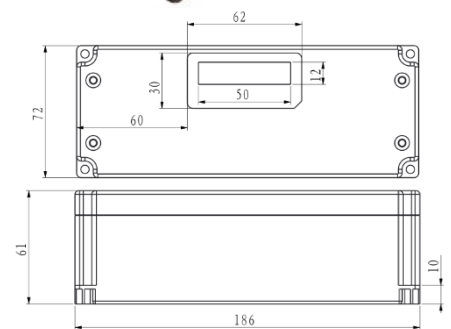
Suitable for electric door, smart home appliance, home terminal equipment, **12V/24V Dc equipment and other power supply fields [POWER - 600W]**

Main function :

- Maximum 8 channel single battery detection and protection control ;
- Support the battery pack total voltage overcharge and overcharge, the second level protection control ;
- Integrated 2 channel temperature detection and high temperature and low temperature protection ;
- Efficient dynamic balance management of battery ;
- Charge and discharge independent 2 channel current detection and protection function ;
- Discharge short circuit protection function ;
- The dynamic high-precision SOC battery measurement module can give the accurate residual capacity of the battery pack in real time ;
- S

Main features :

- Comes with front high precision voltage detection circuit, over voltage detection accuracy can reach 10 mv, could precisely for overcharge and over discharge of the battery management, and ensure the consistency and security of the battery very well ;
- Adopting "intelligent balance management technology", it greatly improved the convergence ability and service life of the core-forming group ;
- The power can be adjusted according to different load conditions, and 2.6Ah and 5.2Ah capacity can be selected ;
- After the current and short circuit protection, the load can be automatically restored without removing the load, so as to facilitate the remote maintenance of the backup power system ;



Structural dimension diagram